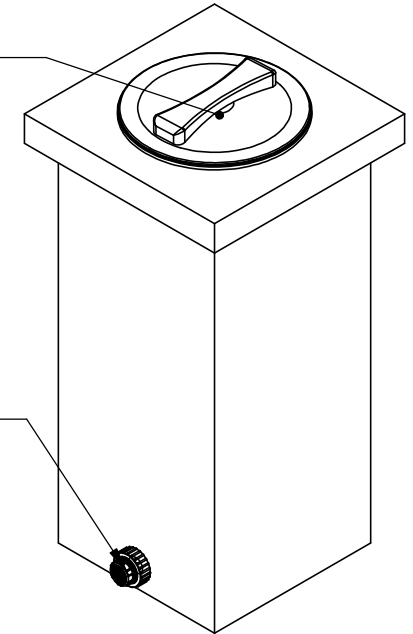
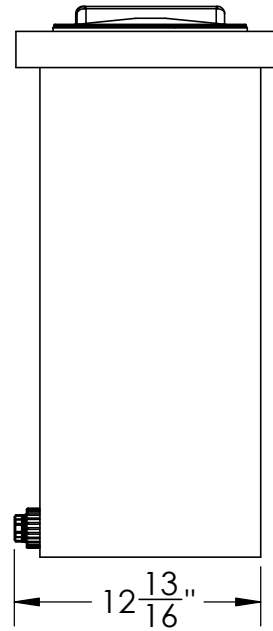
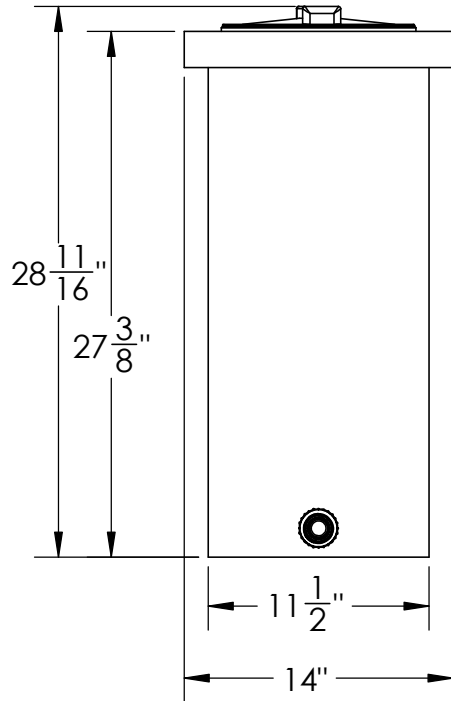


8" Threaded Lid



3/4" Bulkhead Fitting



14 Gal Polyethylene Tank  
w/ 8" Lid & 3/4" FNPT



1390 Neubrecht Road  
Lima, Ohio 45801

DIMENSIONS ARE IN INCHES  
TOLERANCE: ± 1/4"

	NAME	DATE
DRAWN	NJV	7/27/23
APPROVED		

MATERIAL  
LLDPE - FDA resin

CAPACITY  
14 US gal.

GRADUATIONS  
NO

NOMINAL WALL THICKNESS  
3/16"

COMMENTS:  
Natural, Black  
UV Stabilized

STOCK NO.  
**16307, 16308**

REV  
**A**

DO NOT SCALE DRAWING

WEIGHT: 12.8 lbs.

**PROPRIETARY AND CONFIDENTIAL**

THE INFORMATION CONTAINED IN THIS DRAWING IS THE SOLE PROPERTY OF TAMCO. ANY REPRODUCTION IN PART OR AS A WHOLE WITHOUT THE WRITTEN PERMISSION OF TAMCO IS PROHIBITED.

MAX. OPERATING TEMP. 140°F  
INTERMITTENT SERVICE TO 160°F  
SEE CHEMICAL RESISTANCE CHART FOR COMPATIBILITY